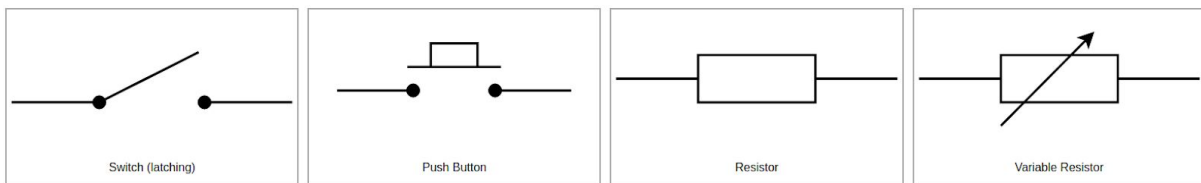


# Circuit Components

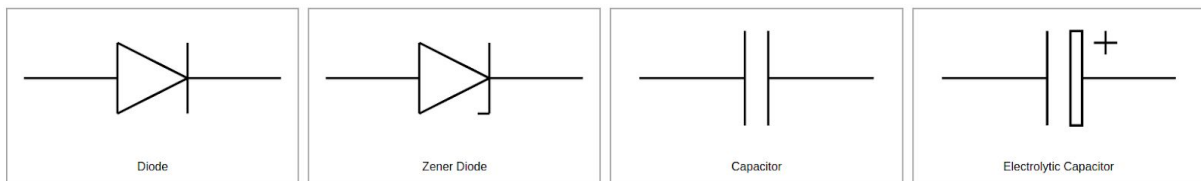
## Power supplies



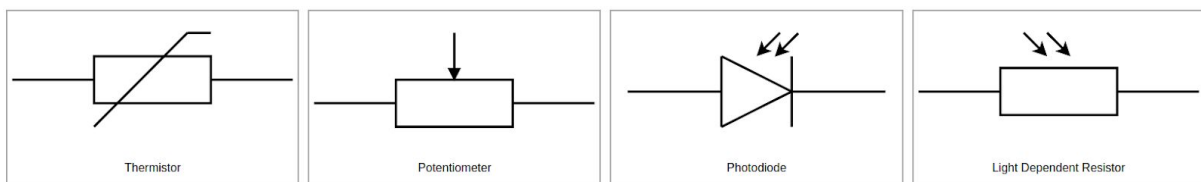
## Switches and Resistors



## Diodes and Capacitors



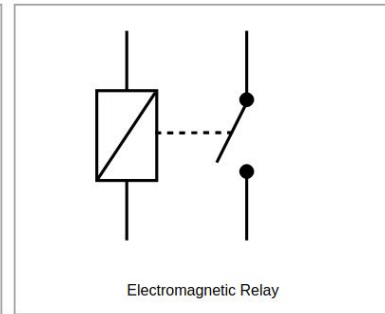
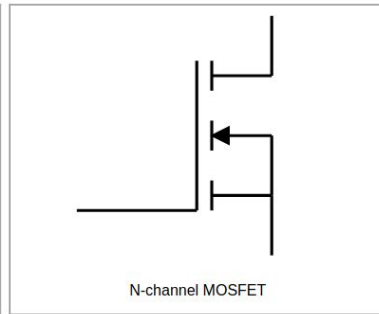
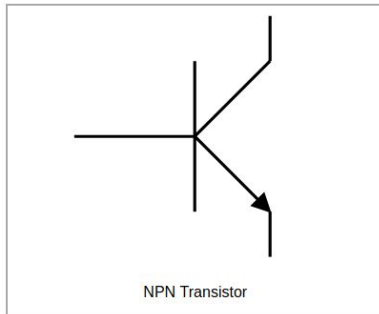
## Input Transducers



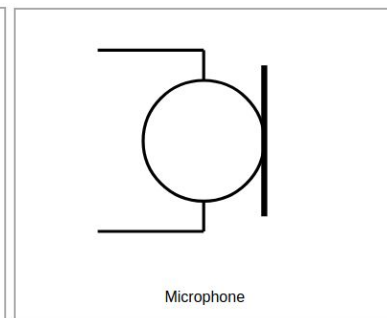
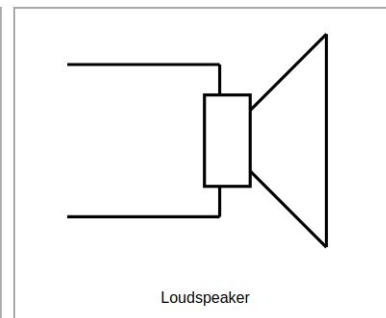
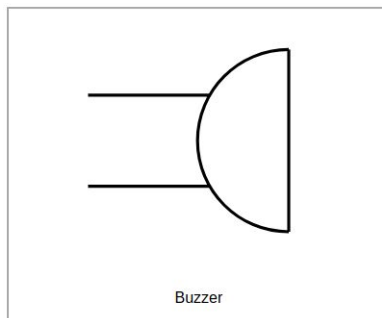
## Output Transducers



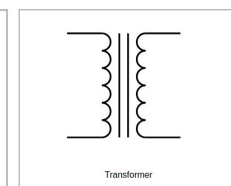
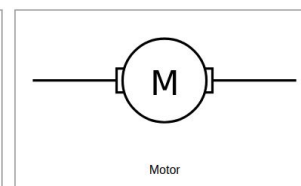
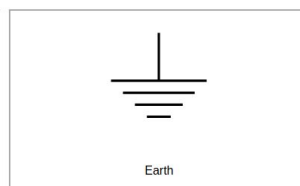
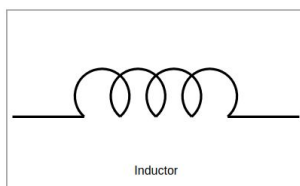
## Transducer Drivers



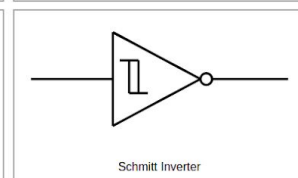
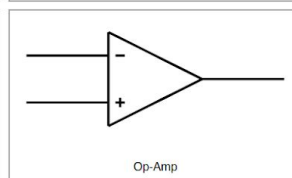
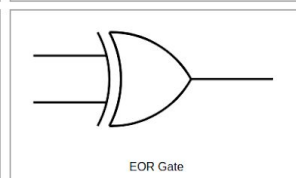
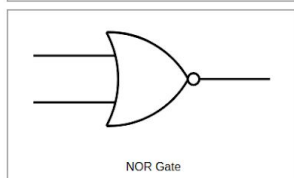
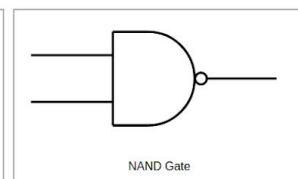
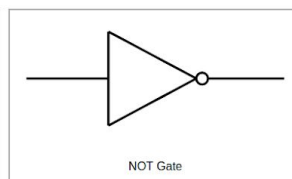
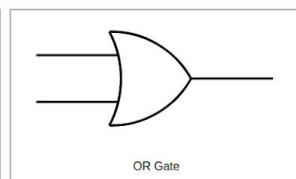
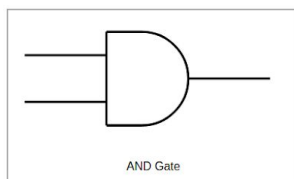
## Audio Components



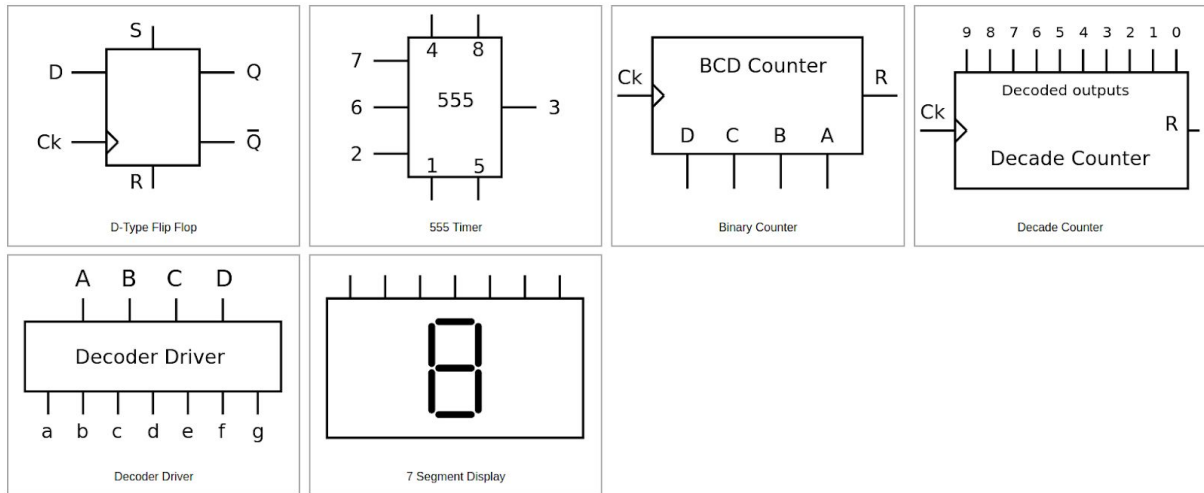
## Miscellaneous



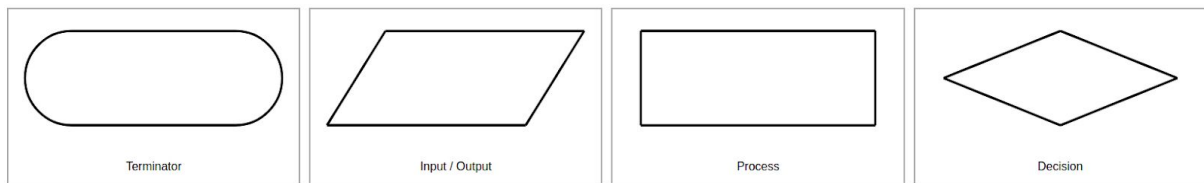
## Integrated Circuits



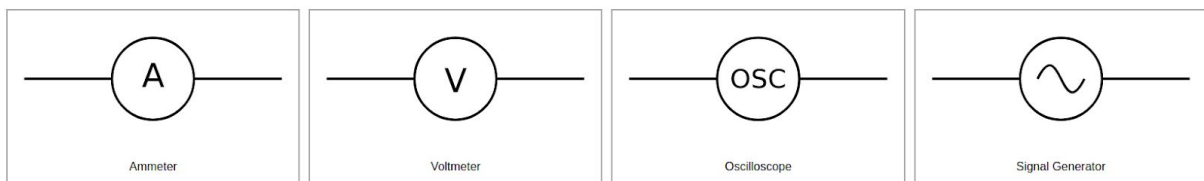
## Integrated Circuits



## Flowchart Symbols



## Test Instruments



## Website

<http://www.pfnicholls.com/Electronics/components.html>

© Paul Nicholls

July 2020



Electronics Resources by Paul Nicholls is licensed under a [Creative Commons Attribution 4.0 International License](https://creativecommons.org/licenses/by/4.0/).