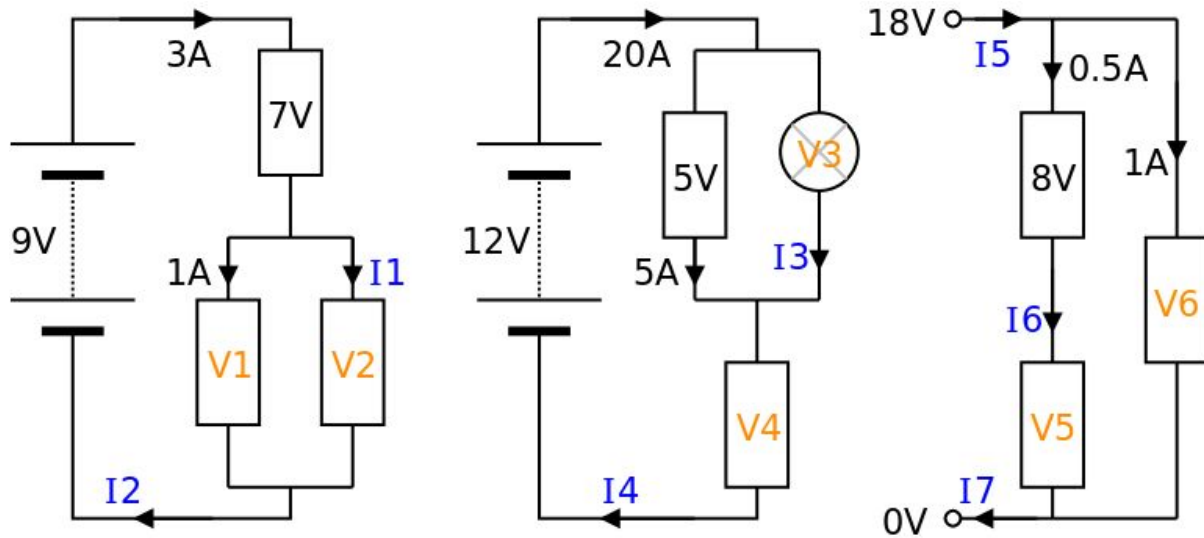


# Simple Circuit Questions

In the diagram, the voltages are written inside the circuit symbols for the sake of clarity.



Use the information on the circuit diagrams to determine the unknown values of current and voltage.

## Question 1

Current I1 = ?

- A. 1 A
- B. 2 A
- C. 3 A
- D. 4 A

## Question 2

Current I2 = ?

- A. 1 A
- B. 2 A
- C. 3 A
- D. 4 A

### Question 3

Voltage  $V_1 = ?$

- A. 1 V
- B. 2 V
- C. 7 V
- D. 9 V

### Question 4

Voltage  $V_2 = ?$

- A. 1 V
- B. 2 V
- C. 7 V
- D. 9 V

### Question 5

Current  $I_3 = ?$

- A. 5 A
- B. 10 A
- C. 15 A
- D. 20 A

### Question 6

Current  $I_4 = ?$

- A. 5 A
- B. 10 A
- C. 15 A
- D. 20 A

## Question 7

Voltage  $V_3$  (across the bulb) = ?

- A. 5 V
- B. 7 V
- C. 10 V
- D. 12 V

## Question 8

Voltage  $V_4$  = ?

- A. 5 V
- B. 7 V
- C. 10 V
- D. 12 V

## Question 9

Current  $I_5$  = ?

- A. 0.5 A
- B. 1.0 A
- C. 1.5 A
- D. 2.0 A

## Question 10

Current  $I_6$  = ?

- A. 0.5 A
- B. 1.0 A
- C. 1.5 A
- D. 2.0 A

## Question 11

Current  $I_7 = ?$

- A. 0.5 A
- B. 1.0 A
- C. 1.5 A
- D. 2.0 A

## Question 12

Voltage  $V_5 = ?$

- A. 8 V
- B. 10 V
- C. 16 V
- D. 18 V

## Question 13

Voltage  $V_6 = ?$

- A. 8 V
- B. 10 V
- C. 16 V
- D. 18 V

# Answers

1. B
2. C
3. B
4. B
5. C
6. D
7. A
8. B
9. C
10. A
11. C
12. B
13. D

# Website

[http://www.pfnicholls.com/Electronics\\_Resources/QuestionIndex.html](http://www.pfnicholls.com/Electronics_Resources/QuestionIndex.html)

© Paul Nicholls

July 2020



Electronics Resources by Paul Nicholls is licensed under a [Creative Commons Attribution 4.0 International License](https://creativecommons.org/licenses/by/4.0/).