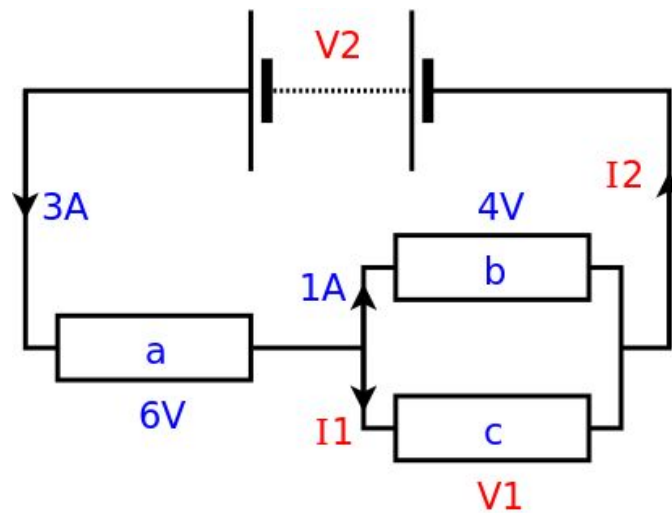


Simple Circuit Exercises

Use the information on the circuit diagram to:

- calculate the unknown values of current I_1 and I_2
- calculate the unknown values of voltage V_1 and V_2

Exercise 1



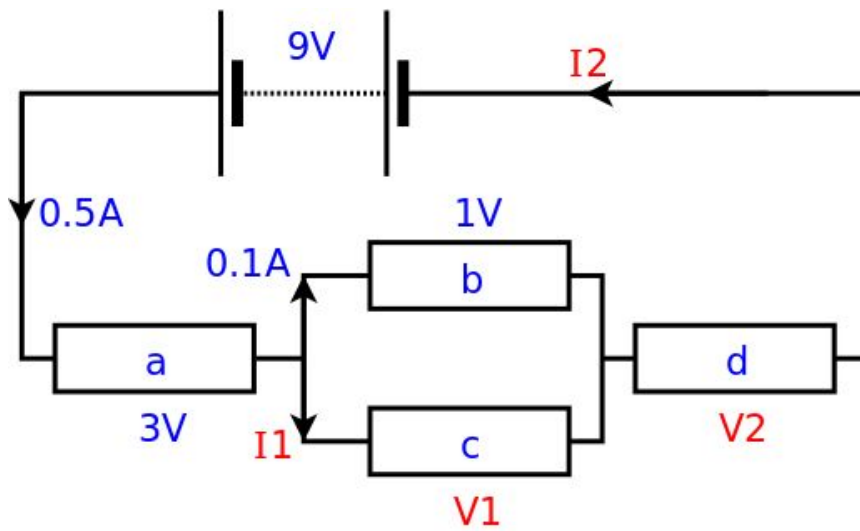
Current $I_1 =$

Voltage $V_1 =$

Current $I_2 =$

Voltage $V_2 =$

Exercise 2



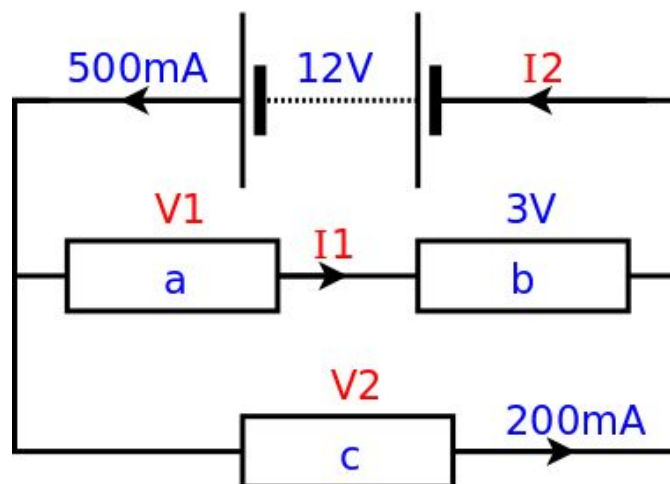
Current I1 =

Voltage V1 =

Current I2 =

Voltage V2 =

Exercise 3



Current I1 =

Voltage V1 =

Current I2 =

Voltage V2 =

Answers

Exercise 1

Current I1 = 2 A

Current I2 = 3 A

Voltage V1 = 4 V

Voltage V2 = 10 V

Exercise 2

Current I1 = 0.4 A

Current I2 = 0.5 A

Voltage V1 = 1 V

Voltage V2 = 5 V

Exercise 3

Current I1 = 300 mA

Current I2 = 500 mA

Voltage V1 = 9 V

Voltage V2 = 12 V